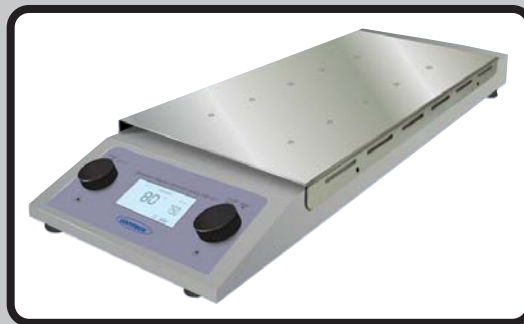
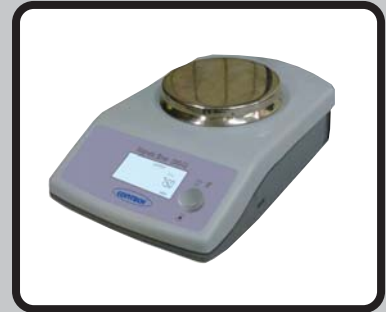
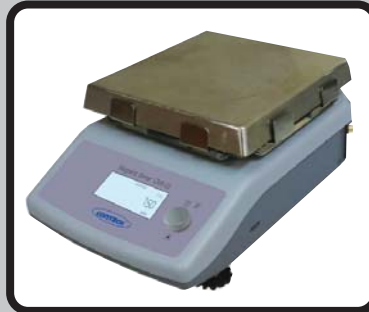


# MAGNETIC STIRRER

## CMS SERIES



## OPERATING MANUAL

# CONTECH<sup>®</sup>

# WARRANTY

**CONTECH INSTRUMENTS LTD** warrants all its products against defects in material and workmanship for a period of one year, subject to terms and conditions stated below and as further modified by warranty Amendment, in each product instruction manual. The warranty card must be registered with us within 15 days of purchase.

1. Warranty period will commence from the date of shipment from **CONTECH**<sup>®</sup> to the original buyer.
2. All warranty repairs are normally done at our factory in Mumbai and our decision about faulty materials or workmanship will be final. The instrument should be sent in the original packing to our factory at the address given below. Postage /Airfreight charges both ways are to be borne by the customer.
3. If any of our product is opened by any one other than our engineers or our authorised representatives, this warranty will become null and void and **CONTECH**<sup>®</sup> will be relieved of all responsibilities as to the service and operation of the said product.
4. This warranty will not be applicable to :
  - a) Shipping damage or damages incurred while products are in transit.
  - b) Correction of operational problems arising out of environmental conditions beyond our control.
  - c) Maintenance necessitated by customer neglect, misuse, improper operation of the instrument or equipment.
  - d) Work necessitated by damages from war, accident, fire, flood, electrical failure, vandalism or any other casualties.
  - e) Repairs due to customers failure to perform any routine maintenance prescribed in the instruction manual.

(The routine inspection of calibration and other parameters should be done periodically by the user)

5. **CONTECH**<sup>®</sup> shall not be liable for any consequential damages nor labour loss or expense directly or indirectly arising from use of its products.,
6. Amendments, assumed corollaries or statements contrary to the terms of this warranty shall not be binding on us unless they are put in writing and approved by us.
7. Any disputes arising out of usage of this products will be subject to Mumbai jurisdiction.
8. For warranty service, contact your local dealer or contact us on the below address.

Corporate Office: 301, Punit Indl. Premises, Turbhe Naka, Navi Mumbai - 400 705.  
Tel. :+91 22-2761 1176 / 77 / 78 / 79 / 80, 2761 8431, 3245 9901 / 02 / 06 / 18  
Fax :+91 22-2761 8421 E-mail: service@contechindia.in / info@contechindia.in  
Website: www.contechindia.com

Factory: Plot No. EL-221 TTC Indl. Area, MIDC (Electronic Zone), Mhape,  
Navi Mumbai-400 701. Tel. :+91 22-2761 8366, 6516 2341 Fax: +91 22-2761 8374

---

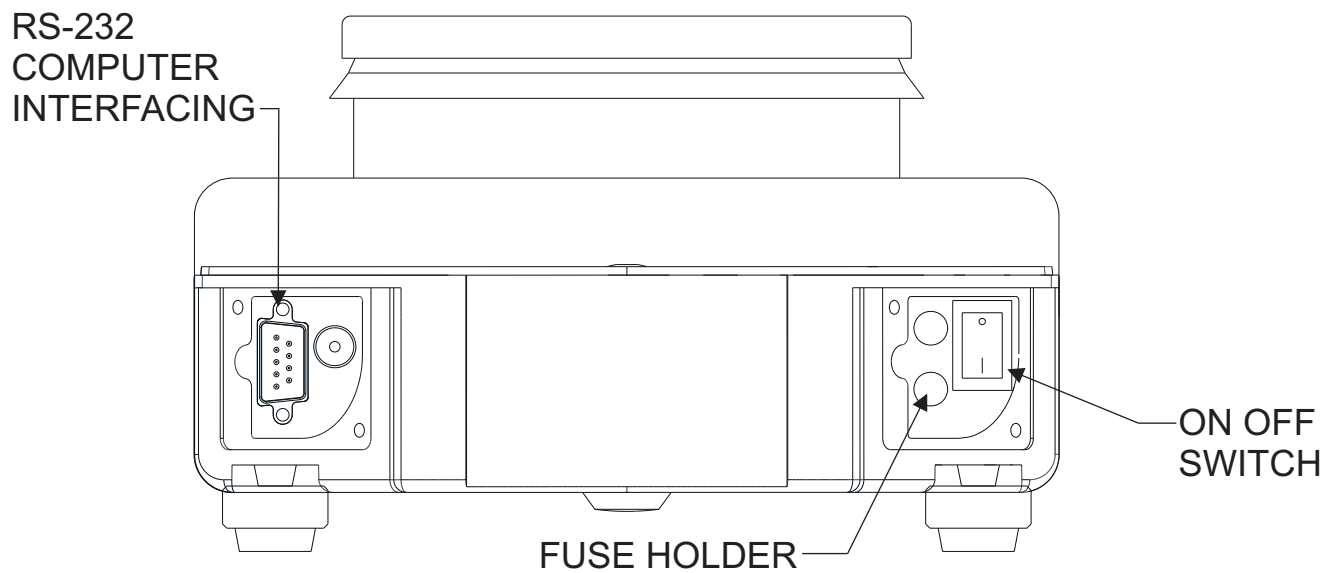
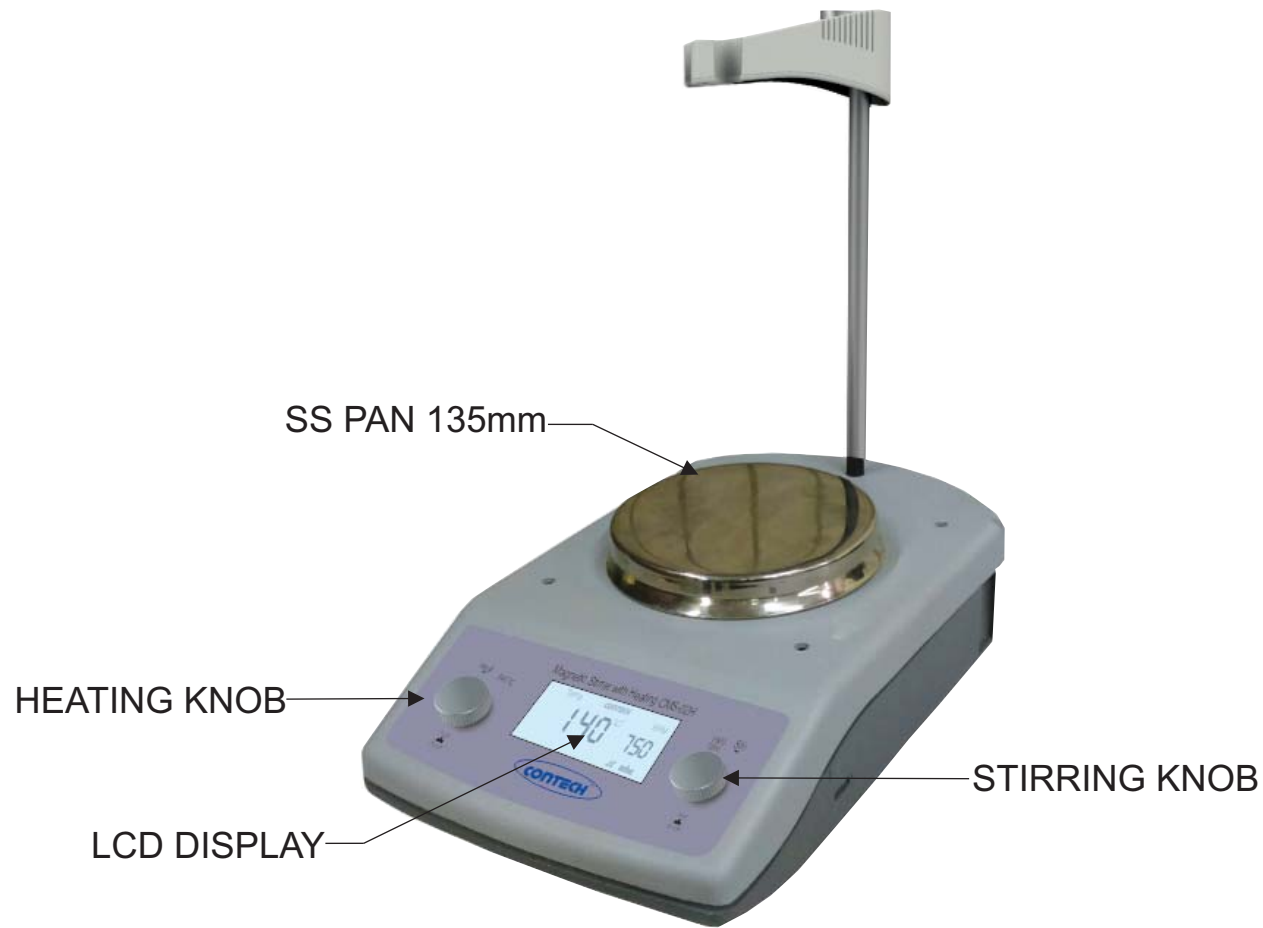
Product : \_\_\_\_\_ Purchase Ref.: \_\_\_\_\_  
Model No.: \_\_\_\_\_ Invoice No.: \_\_\_\_\_  
Sr. No.: \_\_\_\_\_ Date : \_\_\_\_\_

Dealer's Name & Address: \_\_\_\_\_

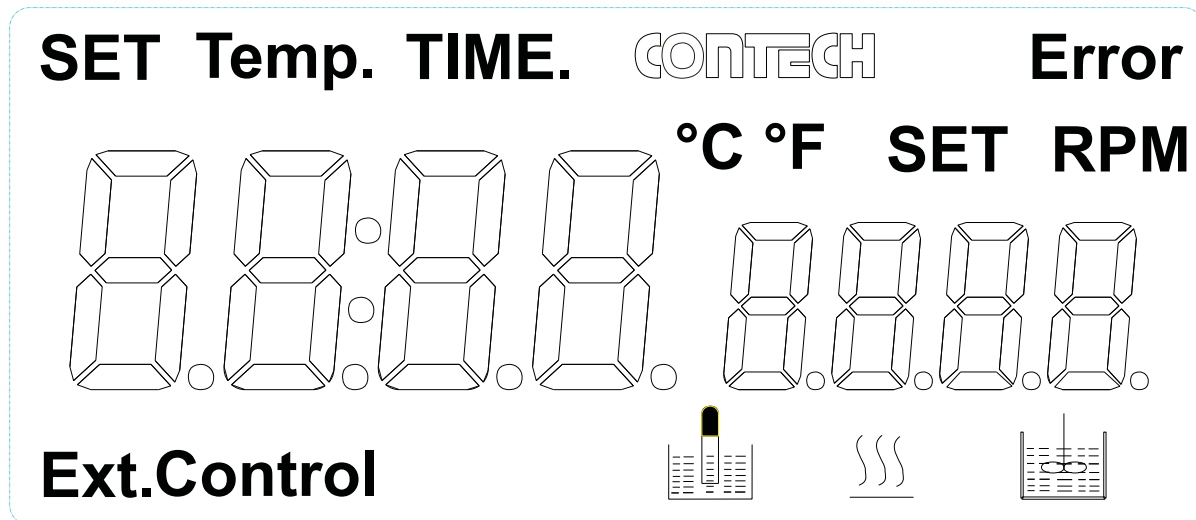
---



---

# CONTROLS



# Display digit mode



Characters	Descriptions
Temp. °C °F	Display temperature when the heating function is switched ON
	Display temperature when the stirring function is switched ON
	Display hot warning if the heating plate temperature is above 50°C after switching OFF the heating function.
Ext.Control	Controlling Temperature With External Temp. sensor
Set RPM	Set Speed
Set Temp.	Set Temperature



**CONTECH**<sup>®</sup>  
**Instruments Ltd.**

**Corporate Office:** 301, Punit Indl. Premises, Turbhe Naka, Navi Mumbai - 400 705.

**Tel.:** +91 22-2761 1176 / 77 / 78 / 79 / 80, 2761 8431

3245 9901 / 02 / 06 / 18 **Fax:** +91 22-2761 8421

**E-mail:** sales@contechindia.in / info@@contechindia.in

**Website:** www.contechindia.com

**Factory:** Plot No. EL-221 TTC Indl. Area, MIDC (Electronic Zone), Mhape,  
Navi Mumbai-400 701. **Tel.:** +91 22-2761 8366, 6516 2341 **Fax:** +91 22-2761 8374